

# PSDN Watertight luminaires \*)

IP 65    

EN 60598-1, EN 60598-2-1

\* Dimmable ballast possible

Optional:  
Dimmable ballast



The watertight luminaires of the PSDN series offer significant advantages such as increased light performance, ease of installation and maintenance, degree of protection IP65 and superb design with simple curved lines.

In areas demanding protection against vandalism and resistance to extreme temperature, the base and the diffuser are made of polycarbonate (PC) and the retaining clips of the diffuser and the metal support components of the luminaire are made of stainless steel.



During the installation and the wiring of the luminaire the diffuser and the reflector remain suspended on the luminaire

The synthetic multilayered film reduces the weight of the reflector and facilitates use while at the same time the reflector is resistant to mechanical strains without being permanently deformed.



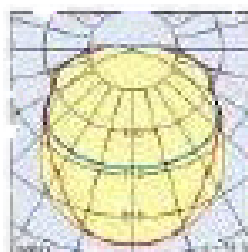
All luminaires of PSDN series are supplied with all their support components and rubber gland for cable installation and removal.



The most significant innovation of the PSDN series is offered as a standard accessory. The reflector made of synthetic film offers increased light performance at least by 25% at the working level compared to common flat reflectors.

Increased concentration of light to the desired area (red curve), contrary to flat reflectors made of white iron sheet of similar luminaires that simply diffuse light (blue curve)

The specular reflector with the parabolic reflective surface is used as standard accessory, mounted at the best possible distance under the lamp(s) of the luminaire.



# PSDN IP65

**Polycarbonate (PC) base and diffuser with high impact and temperature resistance for T5 lamps.**

## Description

Wall or ceiling luminaires, degree of protection IP65, with additional specular, parabolic reflector behind each fluorescent lamp for enhanced light performance and saving energy, and stainless diffuser retaining components.

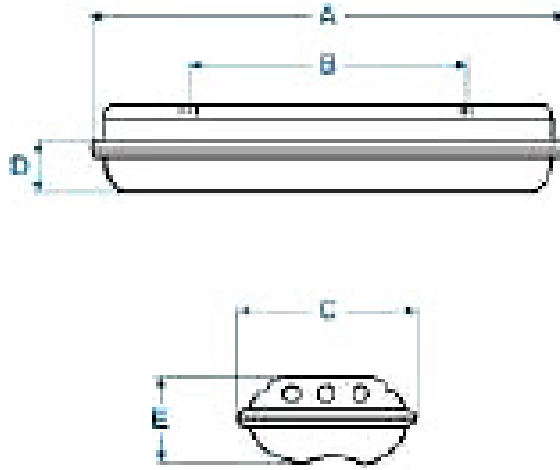


## Applications

Suitable for areas with ambient temperature up to 55°C. For warehouses, parking lots, industries, laboratories, areas with special demands for high impact and high temperature resistance.

## Technical data

- Plastic base made of polycarbonate (PC) with self-extinguishing degree UL94-V2.
- Two perimetrical channels (one filled with elastic polyurethane) for protection and sealing against dust and humidity.
- Use of internal durable reflector, coated with pure aluminum 99,9% enhancing light performance by 25% compared to similar luminaires with white reflector. The material of the reflector is highly resistant to mechanical strain, corrosion and fingerprints.
- Easy connection-disconnection (wiring) of the luminaire through direct access to the electrical components with the base mounted at the bottom of the luminaire.
- The luminaires are supplied fully assembled with stainless steel connecting clips for the base and diffuser. They are supplied fully assembled with the suspension and support components of the luminaire for fast installation.
- Certified by international electrotechnical laboratories with ENEC mark.
- Protection class I. Degree of protection IP 65. High impact resistance IK 09.
- Electronic ballast and T5 lamp (16mm in diameter). The luminaire is available in different operating voltages and frequencies.
- Lampholders made of durable polycarbonate.
- The cables inside the luminaires are firmly attached to the internal surface of the base.
- Wiring made of highly heat resistant cables (HT 105°C / 0,5mm<sup>2</sup>).



<b>Description</b>	<b>Dimensions (mm)</b>				
	<b>A</b>	<b>B</b>	<b>C</b>	<b>D</b>	<b>E</b>
<b>1 lamp</b>					
1 X 14/24 W	674	507	116	51	106
1 X 28/54 W	1284	820	116	51	106
1 X 35/49/80 W	1584	820	116	51	106
<b>2 lamps</b>					
505	674	507	176	51	106
2 X 28/54 W	1284	820	176	51	106
2 X 35/49/80 W	1584	820	176	51	106

<b>With Electronic balast</b>	<b>With dimmable balast</b>
<b>1 lamp</b>	<b>1 lamp</b>
1 X 14/24 W	1 X 14/24 W
1 X 28/54 W	1 X 28/54 W
1 X 35/49/80 W	1 X 35/49/80 W
<b>2 lamps</b>	<b>2 lamps</b>
2 X 14/24 W	2 X 14/24 W
2 X 28/54 W	2 X 28/54 W
2 X 35/49/80 W	2 X 35/49/80 W